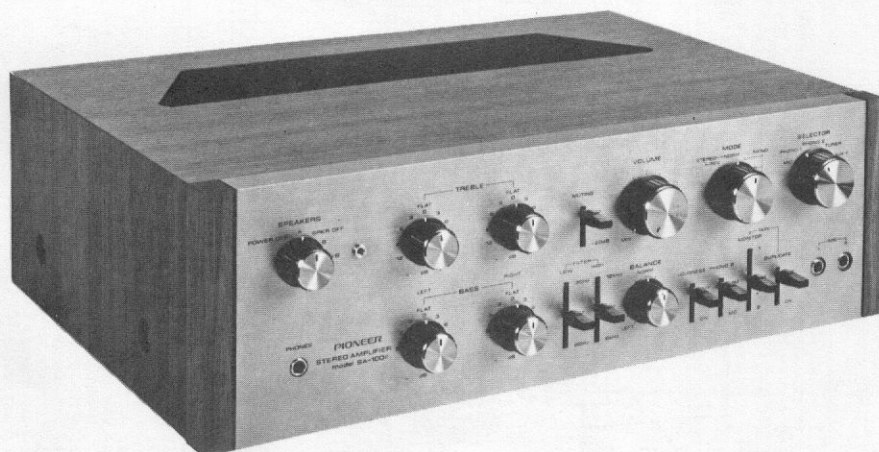
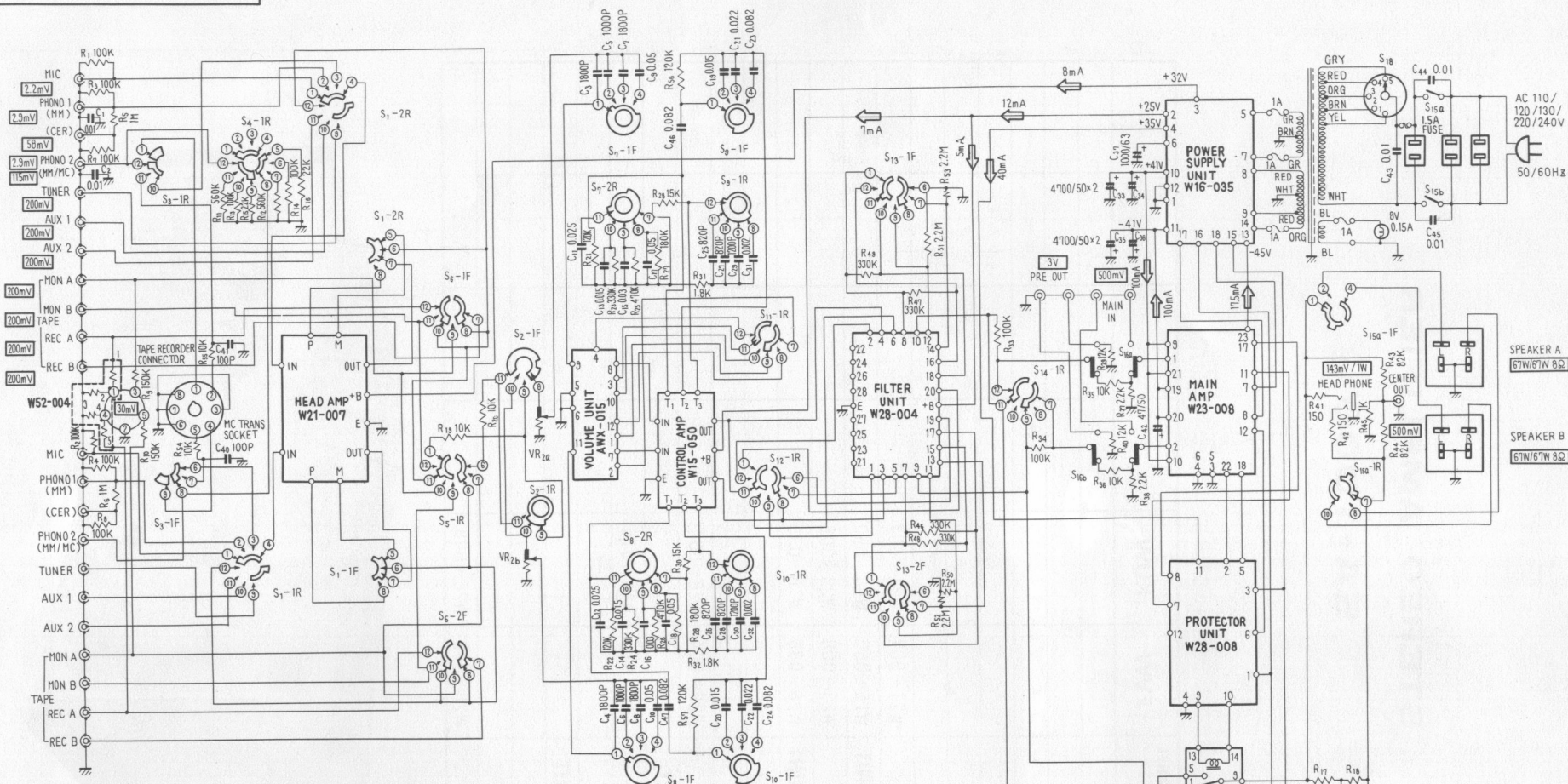


STEREO AMPLIFIER

SA-1000

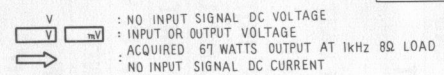
ROUND LABEL UNIT	FWW	KUW				
TUNER UNIT						
FM FRONT END						
FM IF UNIT						
MPX UNIT						
AM TUNER UNIT						
MUTING UNIT						
HEAD AMP UNIT	W21-007	W21-007				
CONTROL AMP UNIT	W15-050	W15-050				
MAIN AMP UNIT	W23-008	W23-008				
POWER SUPPLY UNIT	W16-035	W16-035				
SWITCH UNIT						
SWITCH UNIT						
FILTER UNIT	W28-004	W28-004				
TONE COLOR UNIT						
VR UNIT	AWX-015	AWX-015				
MIC AMP UNIT						
REVERBE AMP UNIT						
REVERBE UNIT						
PROTECTER UNIT	W28-008	W28-008				





- S₁ INPUT SELECTOR
 - S₂ MODE SELECTOR
 - S₃ PHONO 2 SELECTOR
 - S₄ PHONO IMP SELECTOR
 - S₅ TAPE MONITOR SW
 - S₆ DUPLICATE SW
 - S₇ BASS CONTROL
 - S₈ BASS CONTROL
 - S₉ TREBLE CONTROL
 - S₁₀ TREBLE CONTROL
 - S₁₁ LOUDNESS SW
 - S₁₂ LOW FILTER SW
 - S₁₃ HIGH FILTER SW
 - S₁₄ MUTING SW
 - S₁₅ POWER SW & OUTPUT SELECTOR
 - S₁₆ PRE & MAIN SW
- 1. MIC 2. PHONO 1 3. PHONO 2 4. TUNER 5. AUX 1 6. AUX 2
 - 1. REV 2. NORM 3. L 4. R 5. L+R
 - MM ↔ MC
 - 1. 20KΩ 2. 50KΩ 3. 100KΩ
 - 1. MONITOR 1 2. OFF 3. MONITOR 2
 - OFF ↔ ON
 - 9dB ~ +12dB (at 100 Hz)
 - 9dB ~ +12dB (at 100 Hz)
 - 12dB ~ +9dB (at 10kHz)
 - 12dB ~ +9dB (at 10kHz)
 - OFF ↔ ON
 - 1. 30Hz 2. OFF 3. 60Hz
 - 1. 12kHz 2. OFF 3. 6kHz
 - OFF ↔ -20dB
 - 1. POWER OFF 2. A 3. SPKR OFF 4. B 5. A+B
 - SEPARATED ↔ INTERCOUPLED

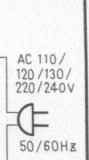
S₁₇ RELAY OFF ↔ ON
 S₁₈ VOLTAGE SELECTOR
 AC 110/120/130/220/240V
 VR₂ BALANCE VOLUME

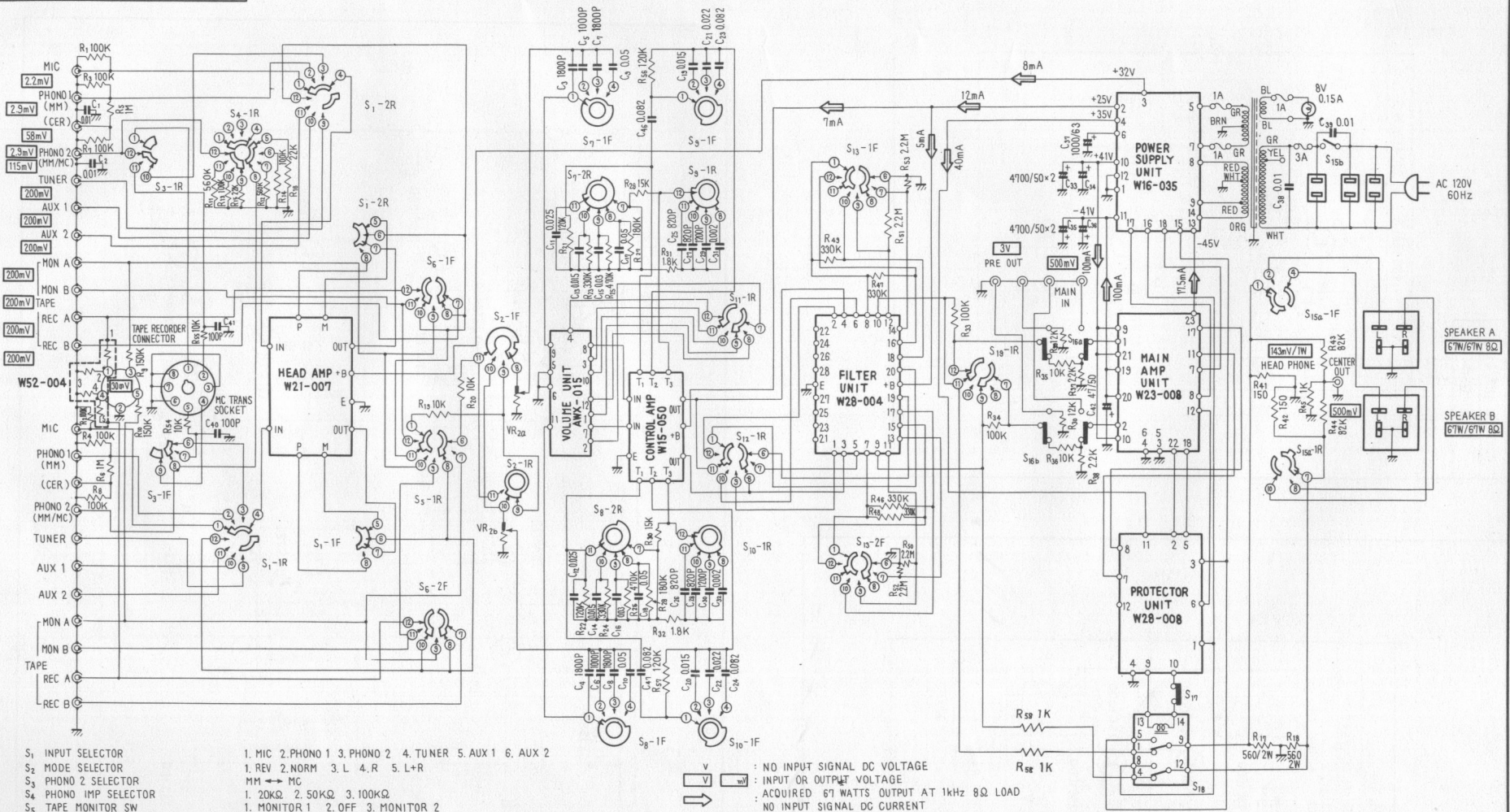


RESISTORS
 NON MARK : OHM
 M : MEGOHM
 K : KILOHM

CAPACITORS
 NON MARK : MICRO FARAD
 P : PICO FARAD

ITEM NO.	VACANT NO.
R ₁ ~ R ₅₇	
C ₁ ~ C ₄₇	C ₃₈ , 39





- S1 INPUT SELECTOR
- S2 MODE SELECTOR
- S3 PHONO 2 SELECTOR
- S4 PHONO IMP SELECTOR
- S5 TAPE MONITOR SW
- S6 DUPLICATE SW
- S7 BASS CONTROL
- S8 BASS CONTROL
- S9 TREBLE CONTROL
- S10 TREBLE CONTROL
- S11 LOUDNESS SW
- S12 LOW FILTER SW
- S13 HIGH FILTER SW
- S14 MUTING SW
- S15 POWER SW & OUTPUT SELECTOR
- S16 PRE & MAIN SW

- 1. MIC 2. PHONO 3. PHONO 2 4. TUNER 5. AUX 1 6. AUX 2
- 1. REV 2. NORM 3. L 4. R 5. L+R
- MM ↔ MC
- 1. 20KΩ 2. 50KΩ 3. 100KΩ
- 1. MONITOR 1 2. OFF 3. MONITOR 2
- OFF ↔ ON
- 9dB ~ +12dB (at 100 Hz)
- 9dB ~ +12dB (at 100 Hz)
- 12dB ~ +9dB (at 10kHz)
- 12dB ~ +9dB (at 10kHz)
- OFF ↔ ON
- 1. 30Hz 2. OFF 3. 60Hz
- 1. 12kHz 2. OFF 3. 6kHz
- OFF ↔ -20dB
- 1. POWER OFF 2. A 3. SPKR OFF 4. B 5. A+B
- SEPARATED ↔ INTERCOUPLED

- S17 THERMO SW ON ↔ OFF
- S18 RELAY OFF ↔ ON
- VR2 BALANCE VOLUME

: NO INPUT SIGNAL DC VOLTAGE
 : INPUT OR OUTPUT VOLTAGE
 : ACQUIRED 67 WATTS OUTPUT AT 1kHz 8Ω LOAD
 NO INPUT SIGNAL DC CURRENT

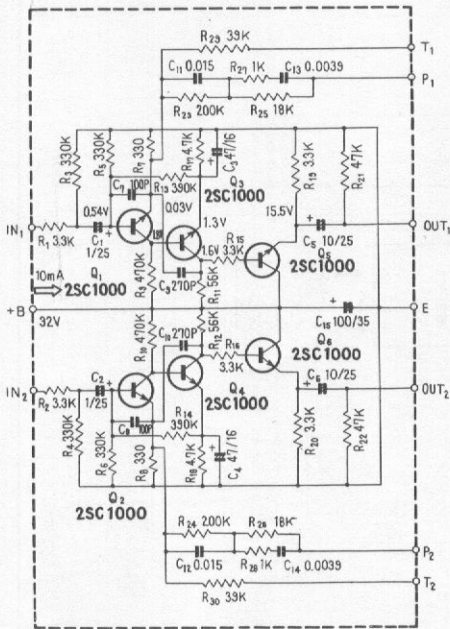
RESISTORS
 NON MARK : ΩHM
 M : MEGOHM
 K : KILOHM
CAPACITORS
 NON MARK : MICRO FARAD
 P : PICO FARAD

ITEM NO.	VACANT NO.
R1 ~ R31	
C1 ~ C47	C43, 44, 45

HEAD AMP UNIT

HEAD AMP UNIT

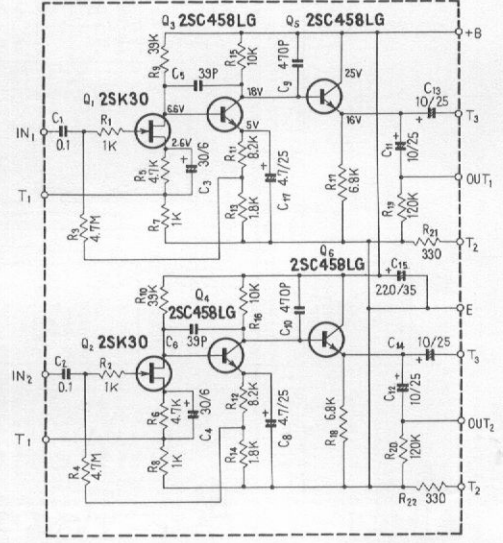
W21-007



CONTROL AMP UNIT

CONTROL AMP UNIT

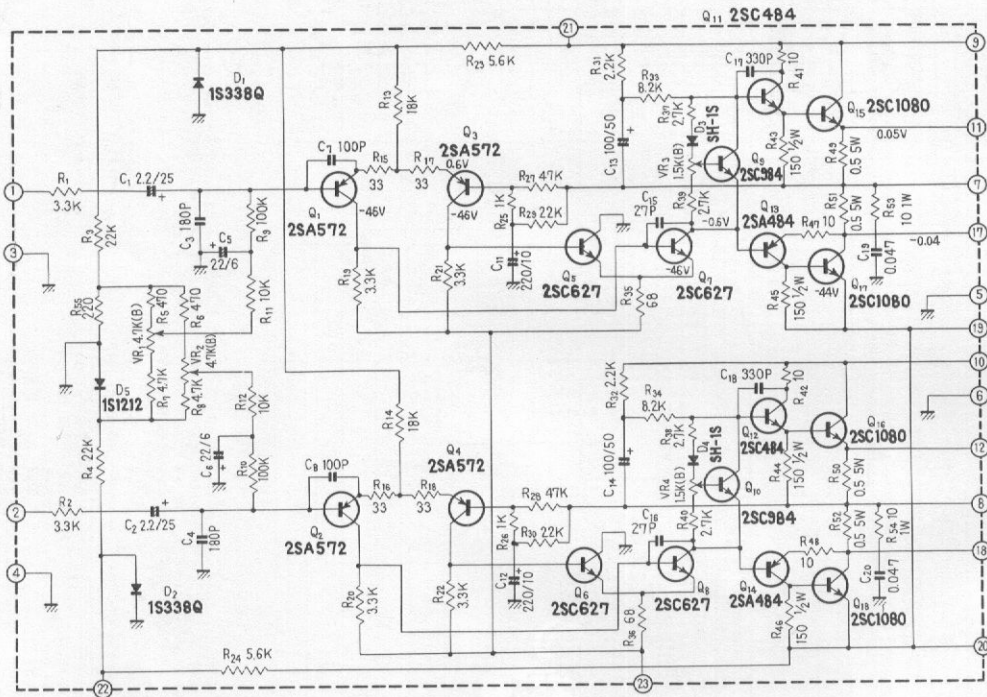
W15-050



MAIN AMP UNIT

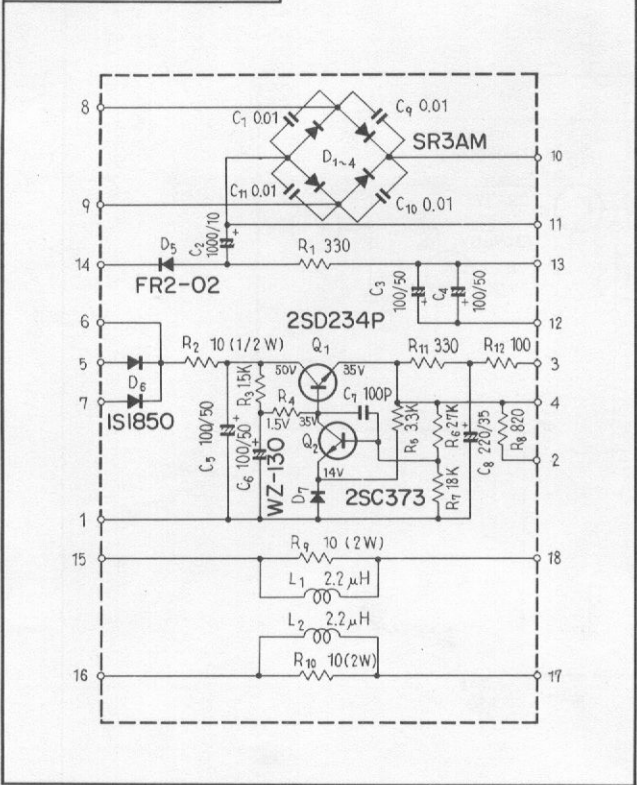
MAIN AMP UNIT

W23-008



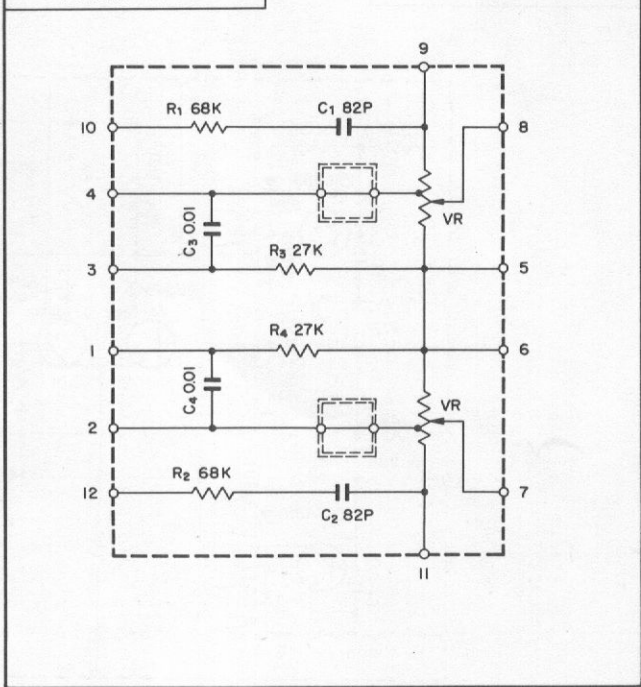
POWER SUPPLY UNIT

POWER SUPPLY UNIT
W16-035



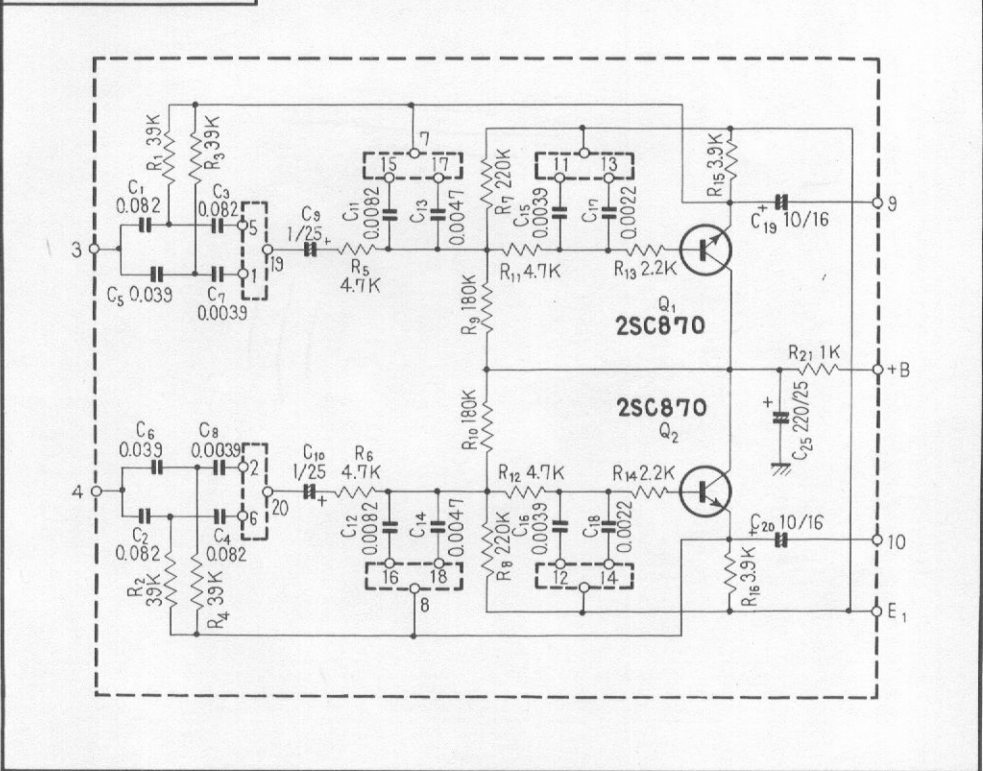
VOLUME UNIT

VOLUME UNIT
AWX-015



FILTER UNIT

FILTER UNIT
W28-004



PROTECTOR UNIT

PROTECTOR UNIT

W28-008

